

Carbon dioxide

CD-Px000

Duct mount - CO₂ and temperature transmitter

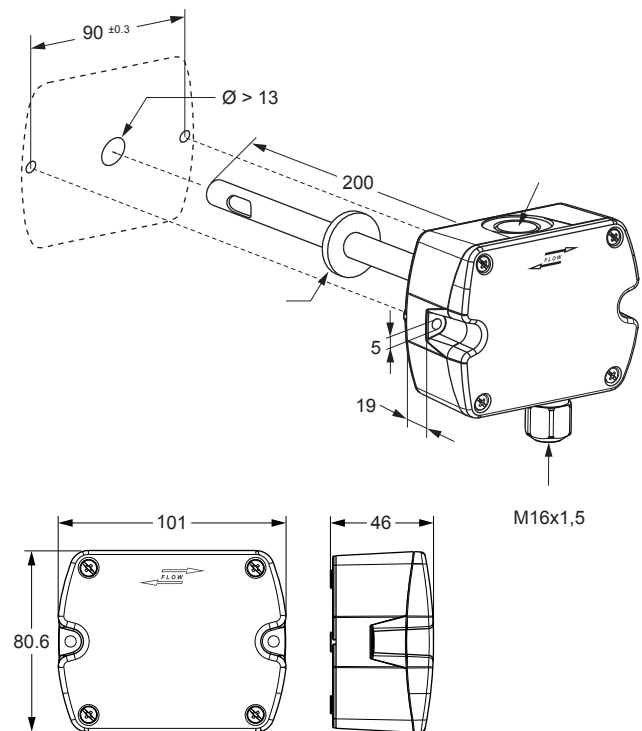
The CD-P series duct mount transmitters are designed for the measurement of Carbon Dioxide (CO₂) and Temperature in Heating Ventilating and Air Conditioning applications where Demand Control Ventilation (DCV), fresh air and indoor Air Quality (IAQ), and rooftop air handling economizer control systems are often required.

The transmitters incorporate the a dual wavelength NDIR CO₂ sensor, which compensates for ageing effects, is highly insensitive to pollution and offers outstanding long term stability.

The CD-P1000 Transmitter is available with CO₂ output only, 0-10V or 4-20 mA, while the CD-P2000 range offers CO₂ and Temperature with active and passive outputs.

Features

- ▶ Dual wavelength non-dispersive infrared technology (NDIR)
- ▶ Measuring range 0...2000 ppm
- ▶ CO₂ Accuracy at 25°C: $\pm (50 \text{ ppm} + 2\% \text{ of measured value})$
- ▶ Temperature accuracy ± 0.3 °C
- ▶ Response time $T_{63} < 100\text{s}$ at 3m/s (590 ft/min) air speed
- ▶ Power supply: 24 VAC $\pm 20\%$ or 15 - 30 VDC
- ▶ Housing material polycarbonate, UL94V-0 approved
- ▶ Protection class enclosure: IP65, probe: IP20
- ▶ Working conditions: -20...60°C; 0...95% RH (non-condensing)
- ▶ Factory calibration certificate (DIN EN10204 - 2.2)



Dimensions in mm

Ordering information

Codes	Description
CD-P1000-00-00	Duct CO ₂ 0/2000 PPM, output 0...10 V or 4...20 mA selectable
CD-P2010-00-00	Duct CO ₂ 0/2000 PPM, output 0...10 V or 4...20 mA selectable + Temperature 0...10 V @ 0...50 °C
CD-P2016-00-00	Duct CO ₂ 0/2000 PPM, output 0...10 V or 4...20 mA selectable + passive Pt1000
CD-P2017-00-00	Duct CO ₂ 0/2000 PPM, output 0...10 V or 4...20 mA selectable + passive NTC10K