

SENSORS

CARBON DIOXIDE

CD-3xx-E00-00

WALL MOUNT - CO₂ / RELATIVE HUMIDITY
AND TEMPERATURE TRANSMITTER

The CD-3xx-E00-00 series is a wall mount transmitter for measuring the CO₂ levels, the relevant humidity and the temperature within Heating, Ventilation and Air Conditioning applications.

The CD-3xx series incorporates a single beam dual wavelength NDIR CO₂ sensor, which compensates for ageing effects, is highly insensitive to pollution and offers outstanding long term stability.

A multiple point CO₂ and T factory adjustment procedure leads to excellent CO₂ measurement accuracy over the entire T working range.

The CD-3xx room sensor are designed to work as part of any HVAC control system.

This new CO₂ transmitter is easy to install and requires no maintenance or field calibration.



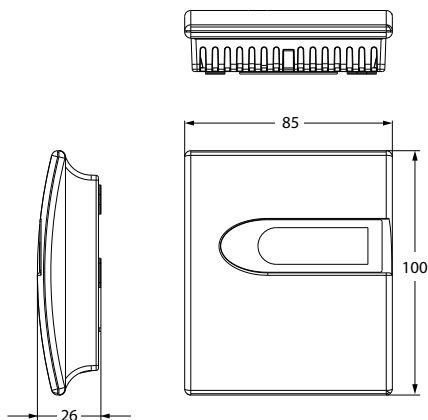
FEATURES

- Power supply 15...35 VDC / 24 VAC
- 0...10 V CO₂ and relative humidity output
- 0...10 V and Pt1000 temperature output on the same device
- Models with display
- Snap-on enclosure
- Outstanding long-term stability
- CO₂ factory calibration certificate



CD-3xx-E00-00 CARBON DIOXIDE

DIMENSIONS (in mm)



ORDERING INFORMATION

CODES	CO ₂ OUTPUT	CO ₂ WORKING RANGE	RH% OUTPUT	RH% WORKING RANGE	TEMPERATURE OUTPUT	TEMPERATURE WORKING RANGE	DISPLAY	CALIBRATION CERTIFICATE
CD-310-E00-00	0...10V	0...2000 ppm	0...10 V	10...90% RH	0...10V and Pt 1000	0 to 50°C (active model)	---	■
CD-311-E00-00							■	■