

FEATURES

- Minimum operating pressure differential ΔP 0,3/0,5 bar
- Two way valves for automatic control of water, air and inert gas and other gases/liquids compatible with the sealing materials used
- Interchangeability of magnetic heads, AC and DC
- The solenoid valves satisfy all relevant EC Directives

GENERAL

Differential pressure	See «SPECIFICATIONS» [1 bar = 100 kPa]						
Ambient temperature range	-10°C to +60°C						
Maximum viscosity	40 cSt (mm ² /s)						
Response time	3/8	1/2	3/4	1	1 1/4	1 1/2	2
opening time (ms)	25	30	55	70	300	300	1500
closing time (ms)	40	90	110	200	1000	1000	2000

fluids (*)	temperature range (TS)	seal materials (*)
DN ≤ 25: air, inert gas and water DN > 25: air and water	- 10°C to + 85°C	NBR (nitrile)

MATERIALS IN CONTACT WITH FLUID

(*) Ensure that the compatibility of the fluids in contact with the materials is verified

Body	Brass
Internal parts	Stainless steel and brass
Springs	Stainless steel
Seal, diaphragm & disc	NBR
Shading coil	Copper

ELECTRICAL CHARACTERISTICS

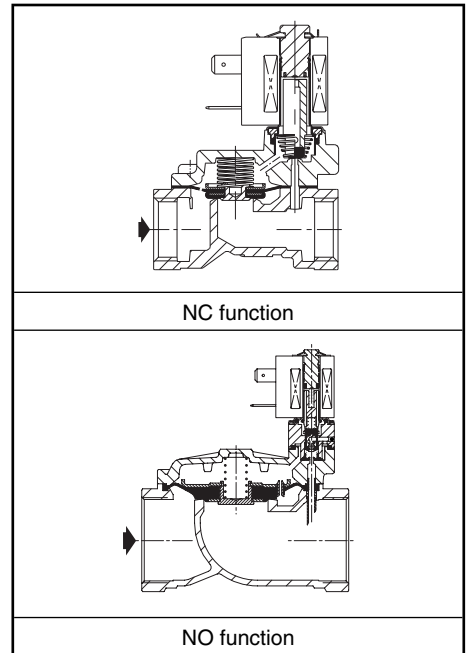
Coil insulation class	F
Connector	Spade plug
Connector specification	
for power coil 4W/6,9W	DIN 43650, 11 mm, industry standard B (cable Ø 6-8 mm)
for power coil 5W/6,9W-8W/9W	ISO 4400 / EN 175301-803, form A (Ø 6-10 mm)
Electrical safety	IEC 335
Electrical enclosure protection	Moulded IP65 (EN 60529)
Standard voltages	DC (=) : 24V - 48V
(Other voltages and 60 Hz on request)	AC (~) : 24V - 48V - 115V - 230V / 50 Hz

prefix option	power ratings				operator ambient temperature range (TS) (C°)	replacement coil		type ⁽¹⁾
	inrush ~	holding ~		hot/cold =		~	=	
	(VA)	(VA)	(W)	(W)		230 V/50 Hz	24 V DC	
SC	12	6	4	5/6,9	-10 to + 60	43004155	43004158	01
	15	7	5	5/6,9	-10 to + 60	43004649	43004647	02
	23	14	8	7,5/9	-10 to + 50	43005275	43005272	03

⁽¹⁾ Refer to the dimensional drawings on the following page.

SPECIFICATIONS

pipe size	orifice size (mm)	flow coefficient Kv		min.	operating pressure differential (bar)		power coil (W)		catalogue number	options		
		(m ³ /h)	(l/min)		max. (PS)	air / water (*)	~	=		maintained man. operator	FPM	EPDM
NC - Normally closed												
G* 3/8	12	2,4	40	0,3	10	10	4	6,9	SCE238A001	MO	V	E
					16	16	5	6,9				
G* 1/2	12	2,4	40	0,3	10	10	4	6,9	SCE238A002	MO	V	E
					16	16	5	6,9				
	15	4,2	70	0,3	10	10	4	6,9	SCE238B003	MO	V	E
					16	16	5	6,9				
G* 3/4	20	6,6	110	0,3	10	10	4	6,9	SCE238A004	MO	V	E
					16	16	5	6,9				
G* 1	25	9,9	165	0,3	10	10	4	6,9	SCE238A005	MO	V	E
					16	16	5	6,9				
G 1 1/4	30	15	250	0,5	10	10	8	9	SCG238C016	MO	V	-
G 1 1/2	45	27	450	0,5	10	10	8	9	SCG238C017	MO	V	-
G 2	45	34	566	0,5	10	10	8	9	SCG238C018	MO	V	-
NO - Normally open												
G 1 1/4	30	15	250	0,5	10	10	8	9	SCG238C019	-	V	-
G 1 1/2	45	27	450	0,5	10	10	8	9	SCG238C020	-	V	-
G 2	45	34	566	0,5	10	10	8	9	SCG238C021	-	V	-



OPTIONS

- Valves can also be supplied with FPM (fluorelastomer), EPDM (ethylene-propylene) seals, diaphragm and disc. Use the appropriate optional suffix letter for identification
- Magnetic latch execution (power coil 4W/6,9W), catalogue numbers (Section 11): Ø12, 3/8: U238A011MO / Ø12, 1/2: U238A012MO / Ø15, 1/2: U238A013MO / Ø20, 3/4: U238A014MO / Ø25, 1: U238A015MO
Catalogue numbers SCE238A001/A002/B003/A004/A005:
- Explosionproof enclosures for use in zones 1/21-2/22, categories 2-3 to ATEX Directive 94/9/EC (see "Explosionproof solenoids" section)
- Compliance with "UL", "CSA" and other local approvals available on request
All versions:
- Plug with visual indication and peak voltage suppression or with cable length of 2 m (see Solenoids, Coils & Accessories section)

INSTALLATION

- The solenoid valves can be mounted in any position without affecting operation
- Pipe connections (G*) have standard combination thread according to ISO 228/1 and ISO 7/1. Pipe connections (G) have standard combination thread according to ISO 228/1
- Installation/maintenance instructions are included with each valve

SPARE PARTS KIT

catalogue number	spare parts kit no.
	~/=
SCE238A001/002/006/007	C131600
SCE238B003/B008	C131618
SCE238A004/A009	C131606
SCE238A005/A010	C131609

(1) Standard suffixes are also applicable to kits.

ORDERING EXAMPLES:

SC	E	238	A	001	230V / 50 Hz	
SC	E	238	B	008	V	115V / 50 Hz
SC	E	238	A	004	E	24V / DC
SC	G	238	C	016		230V / 50 Hz

prefix — pipe thread — basic number — voltage — suffix

ORDERING EXAMPLES KITS:

C131600 ⁽¹⁾	
C131618	V
C131609	E

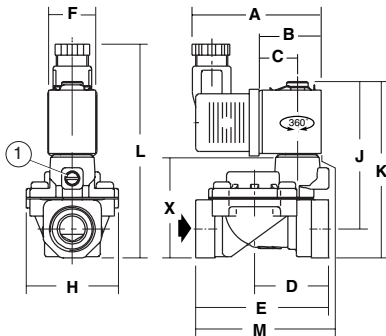
basic number — suffix

DIMENSIONS (mm), WEIGHT (kg)



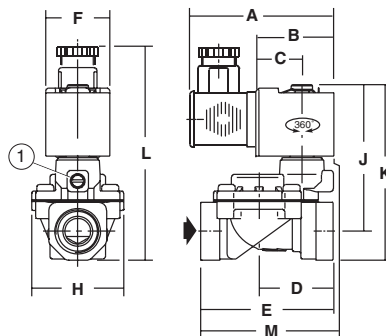
TYPE 01
Prefix "SC" Solenoid
Epoxy moulded
IEC 335 / ISO 4400
IP65

SCE238A001/002/004/005
SCE238B003



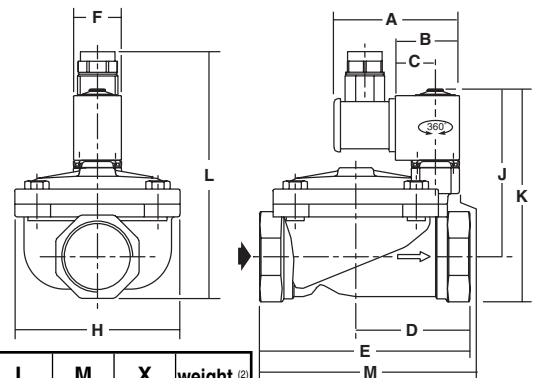
TYPE 02
Prefix "SC" Solenoid
Epoxy moulded
IEC 335 / ISO 4400
IP65

SCE238A006/007/009/010
SCE238B008



TYPE 03
Prefix "SC" Solenoid
IEC 335 / ISO 4400
IP65

SCG238C016/017/018
SCG238C019/020/021



type	prefix option	catalogue number	A	B	C	D	E	F	H	J	K	L	M	X	weight ⁽²⁾
01	SC	SCE238A001/002	60	30	19	34,5	62	22	43	68,5	82	95	58,5	47	0,4
		SCE238B003	60	30	19	45,5	81,5	22	57	71	84,5	97	74,5	49,5	0,5
		SCE238A004	60	30	19	53	95	22	68	79,5	95,5	108	86,5	60,5	0,8
		SCE238A005	60	30	19	58	105,5	22	87	84,5	105	118	94	70	1,0
02	SC	SCE238A006/007	72	37	22	34,5	62	30	43	68,5	82	96,5	62,5	47	0,5
		SCE238B008	72	37	22	45,5	81,5	30	57	71	84,5	99	78,5	49,5	0,6
		SCE238A009	72	37	22	53	95	30	68	79,5	95,5	110	90,5	60,5	0,9
		SCE238A010	72	37	22	58	105,5	30	87	84,5	105	119,5	98	70	1,1
03	SC	SCG238C016	73	41,5	21,6	63	113	32	81	109 ⁽³⁾	135 ⁽³⁾	150	106	-	1,7
		SCG238C017	73	41,5	21,6	80	140	32	110	112 ⁽³⁾	142 ⁽³⁾	157	129	-	2,6
		SCG238C018	73	41,5	21,6	85	157	32	110	117 ⁽³⁾	153 ⁽³⁾	168	129	-	2,9
		SCG238C019	73	41,5	21,6	63	113	32	81	127	153	168	106	-	1,9
		SCG238C020	73	41,5	21,6	80	140	32	110	130	160	175	129	-	3,0
		SCG238C021	73	41,5	21,6	85	157	32	110	135	171	186	129	-	3,4

(2) Incl. coil(s) and connector(s).

(3) Maintained manual operator: added + 23 mm.

① Manual operator location

All leaflets are available on: www.asconumatics.eu