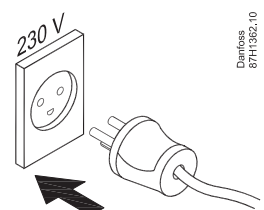
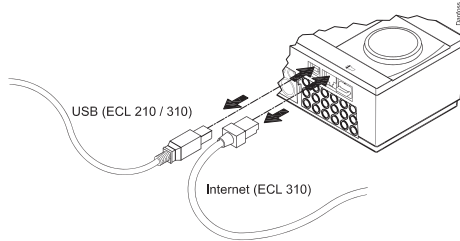
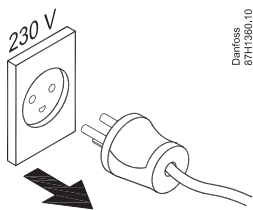
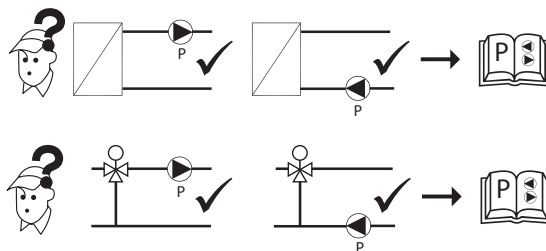
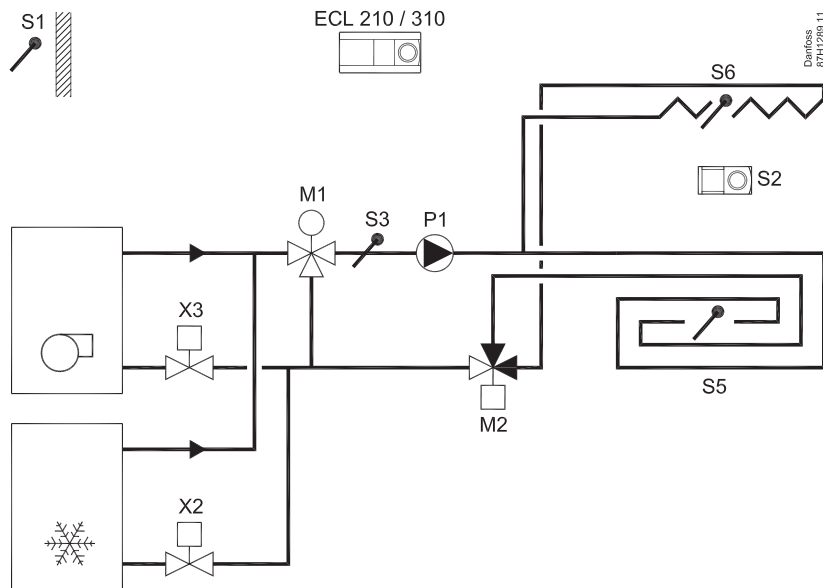


Mounting Guide

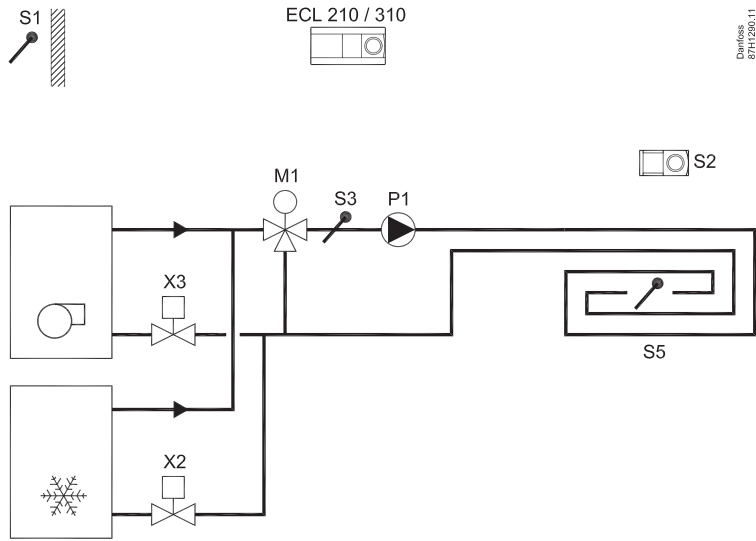
ECL Comfort 210 / 310, A232 (code no. 087H3812)



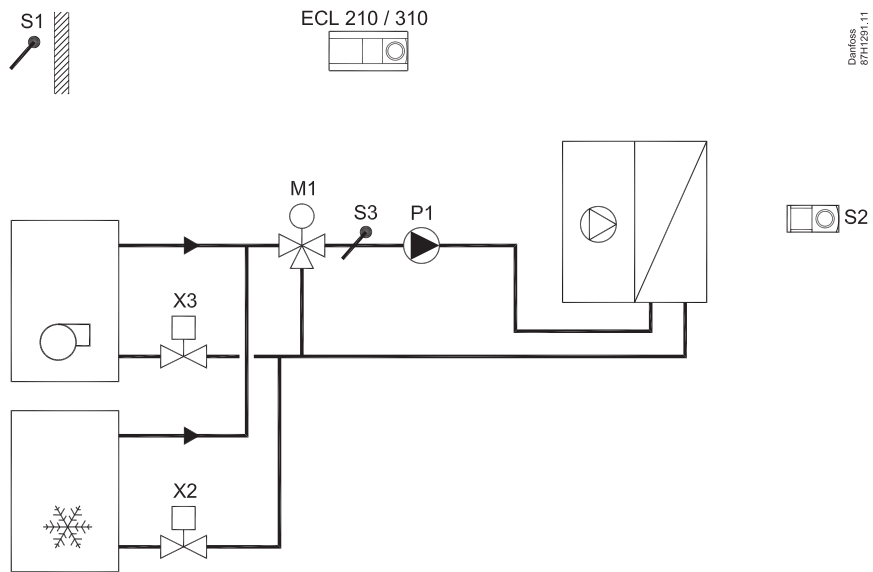
A232.1, ex. a



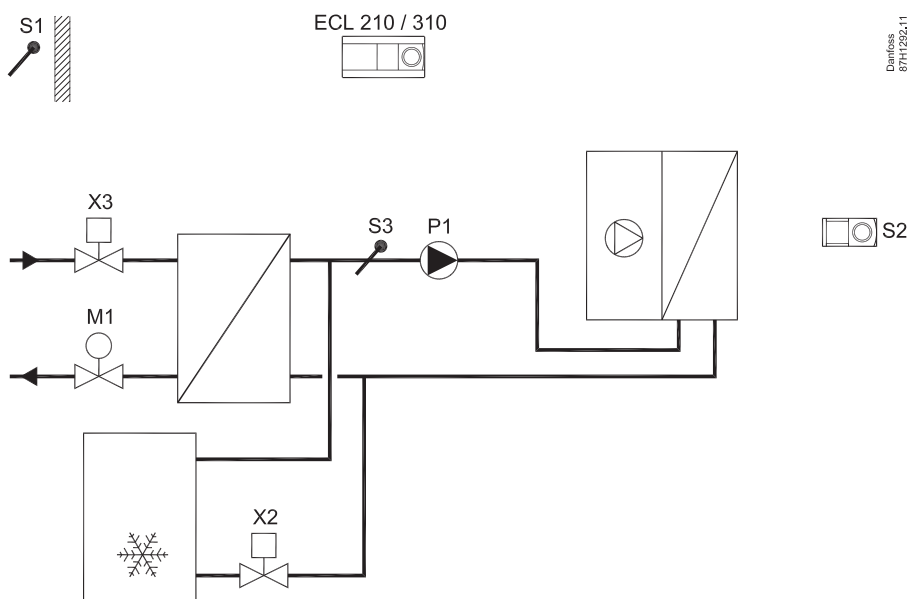
A232.1, ex. b



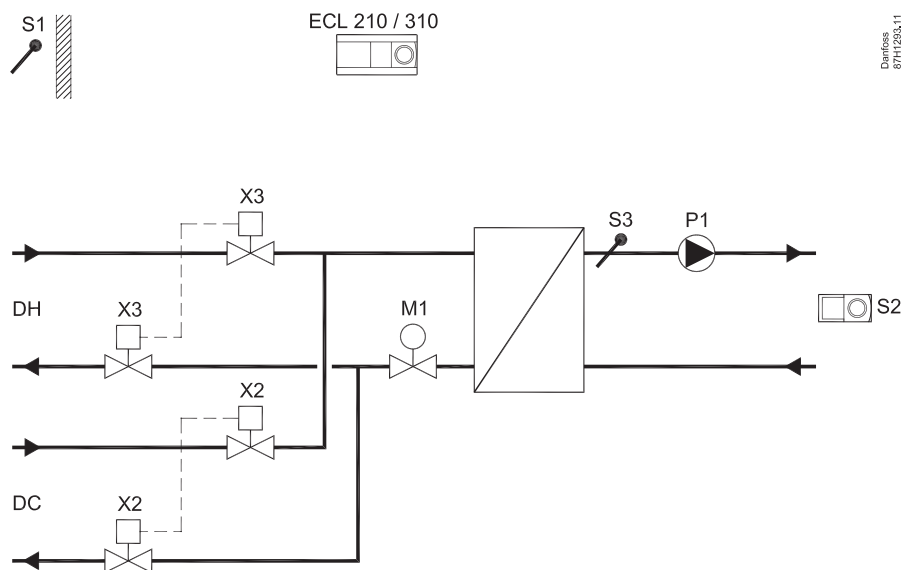
A232.1, ex. c



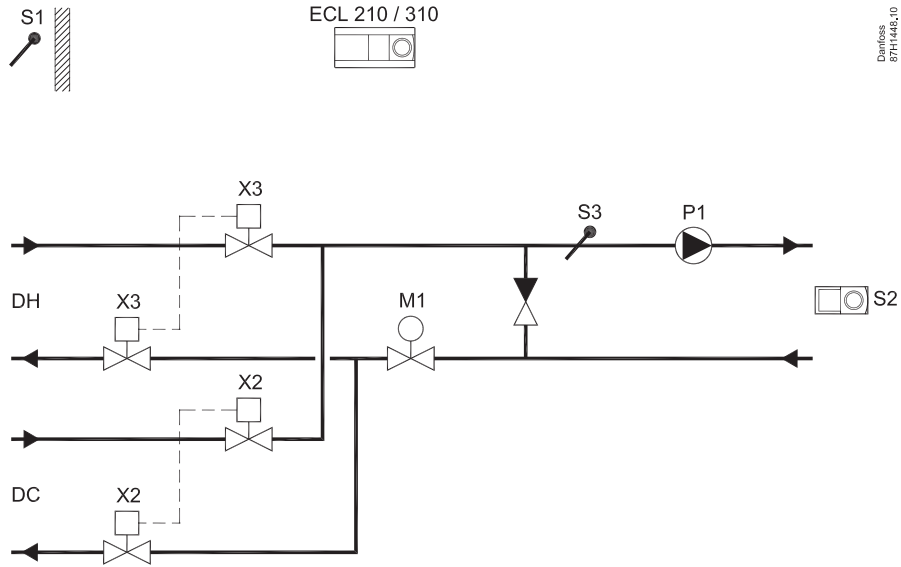
A232.1, ex. d



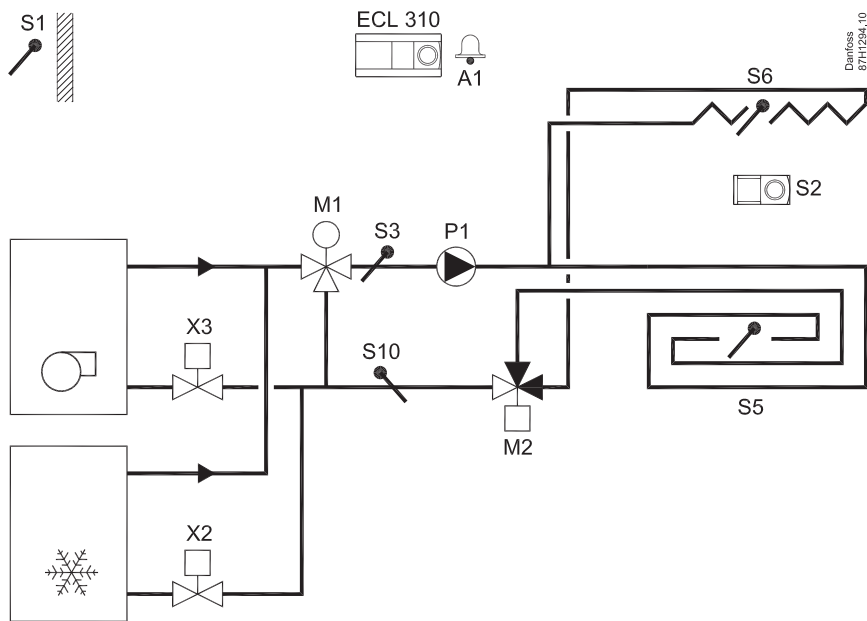
A232.1, ex. e



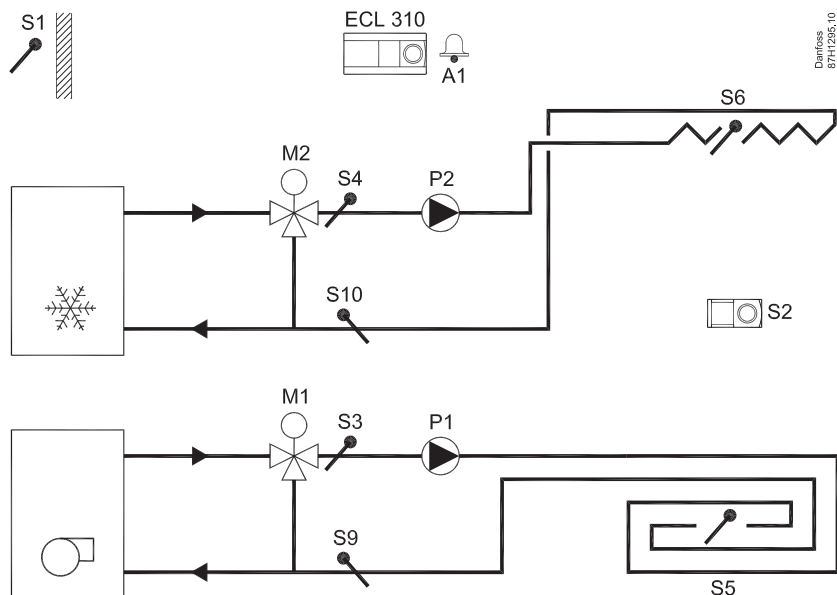
A232.1, ex. f



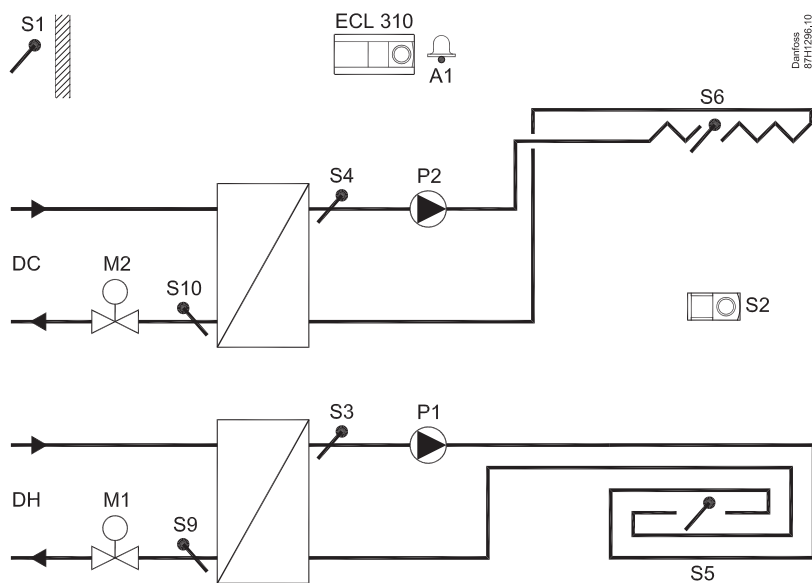
A332.1, ex. a



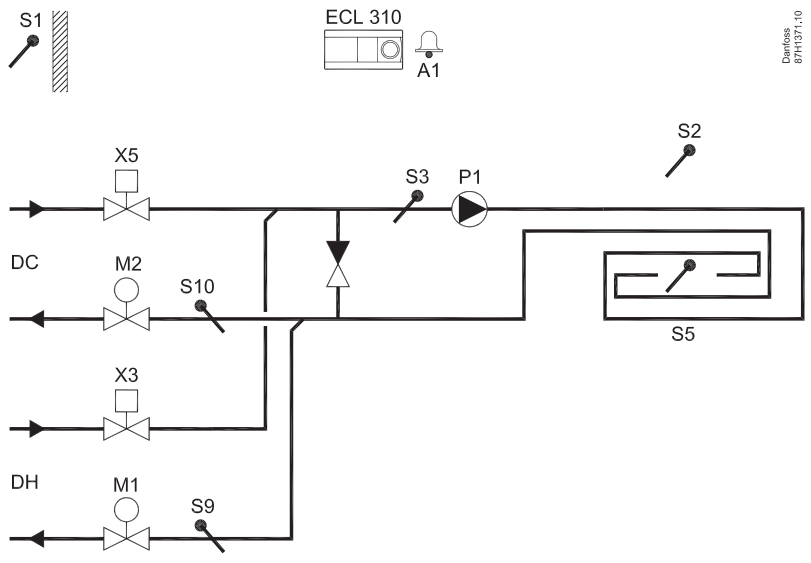
A332.2, ex. a



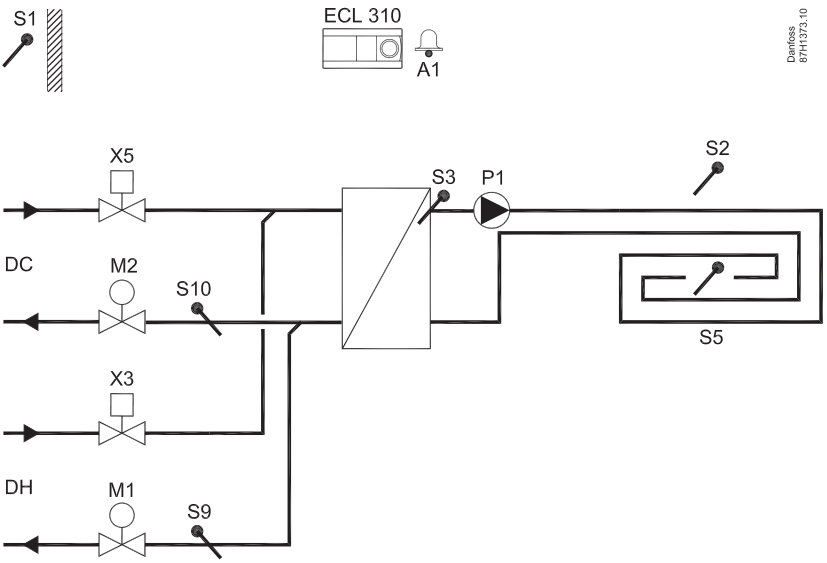
A332.2, ex. b



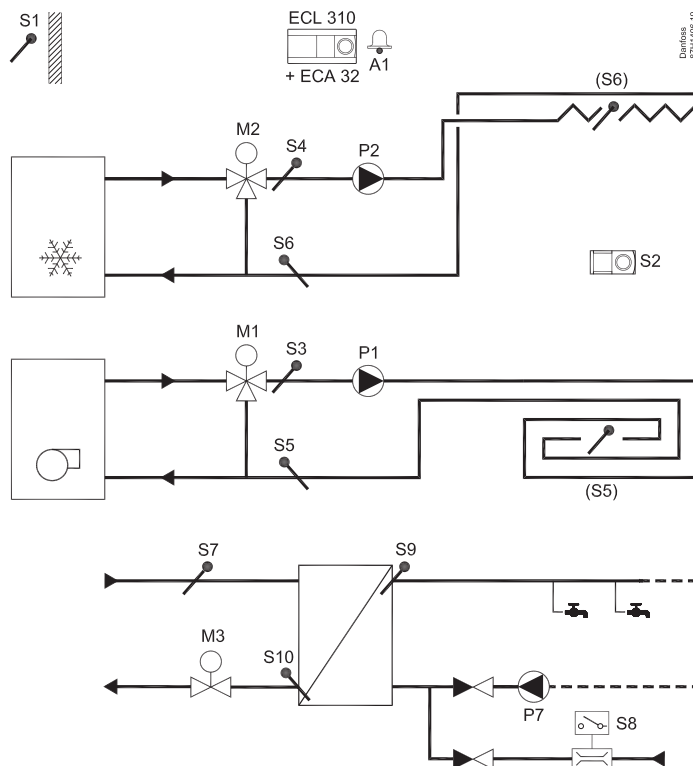
A332.2, ex. c



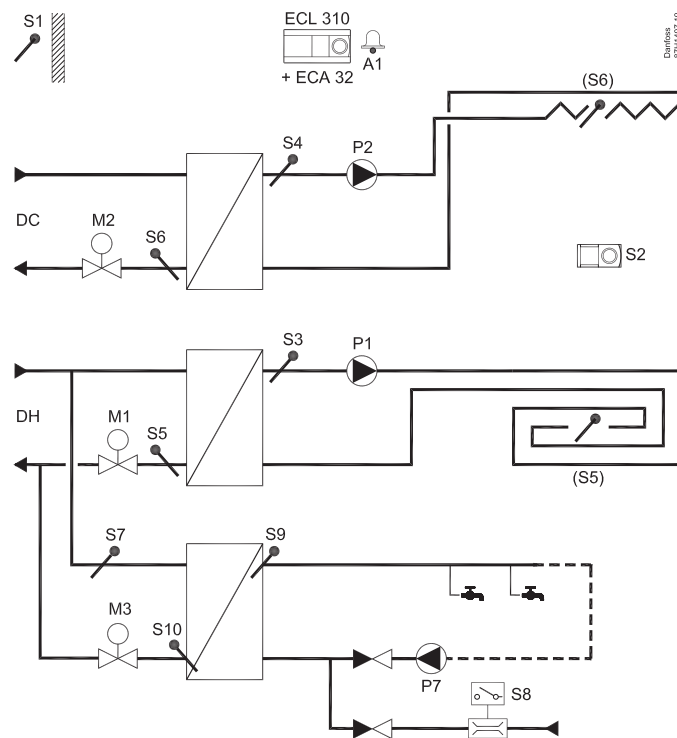
A332.2, ex. d



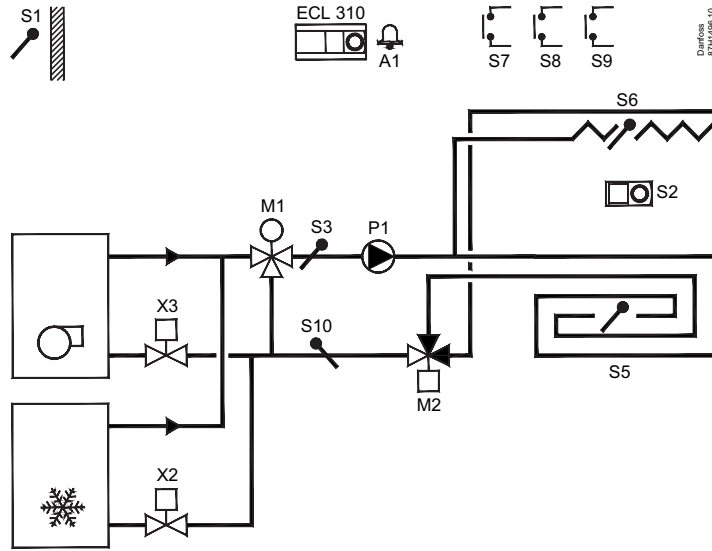
A332.3, ex. a



A332.3, ex. b



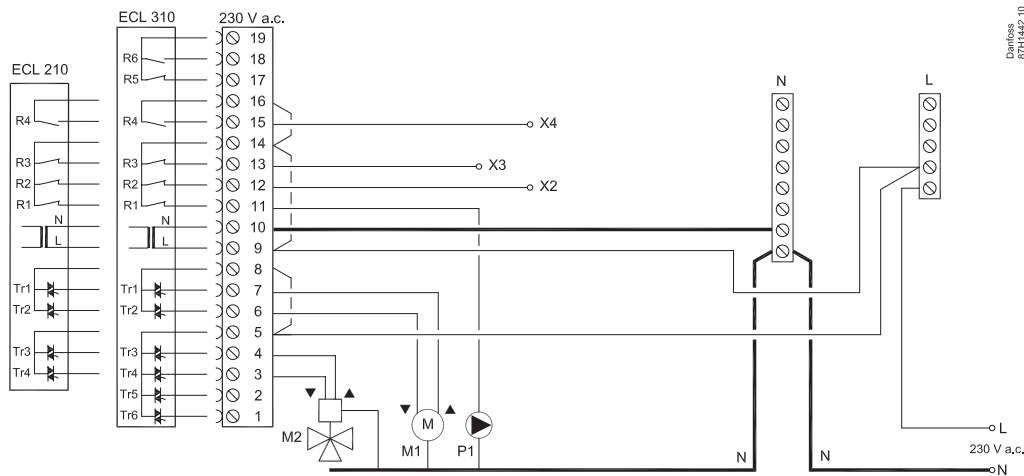
A332.4, ex. a



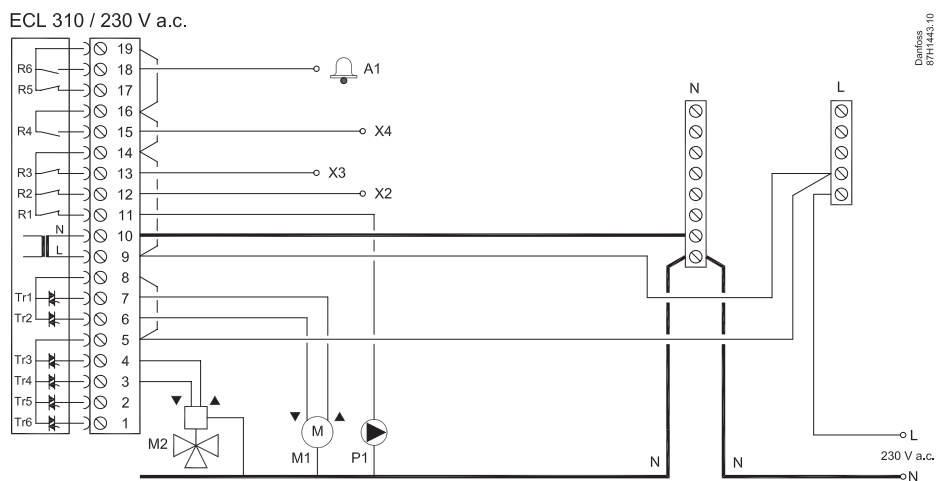
230 V a.c., A232.1 (ECL 210, ECL 310)
 A332.1, A332.2, A332.3, A332.4 (ECL 310)

	M1	M2	M3		R1	R2	R3	R4	R5	R6
A232.1	✓	✓			P1	X2	X3	X4		
A332.1	✓	✓			P1	X2	X3	X4		A1
A332.2	✓	✓			P1	P2	X3	X4	X5	A1
A332.3	✓	✓	✓		P1	P2	X3	X4	X5	A1
A332.4	✓	✓			P1	X2	X3	X4		A1

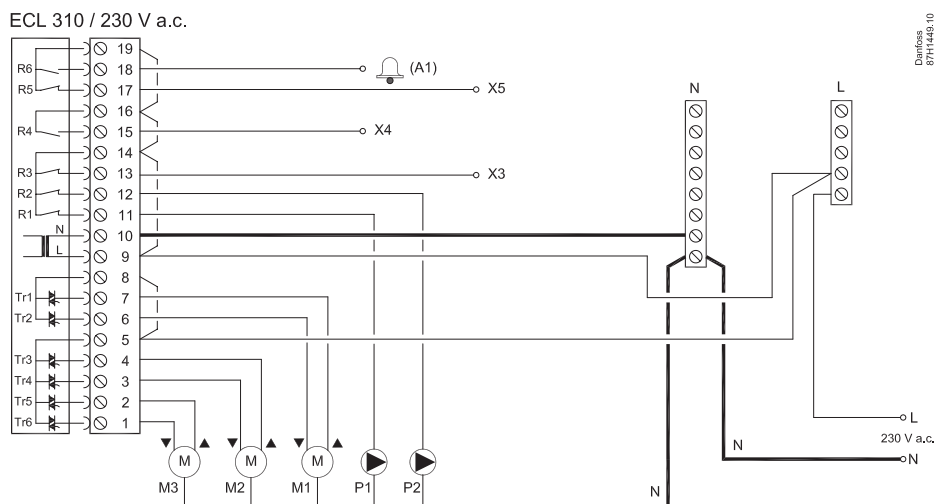
230 V a.c., A232.1 (ECL 210, ECL 310)



230 V a.c., A332.1, A332.4 (ECL 310)

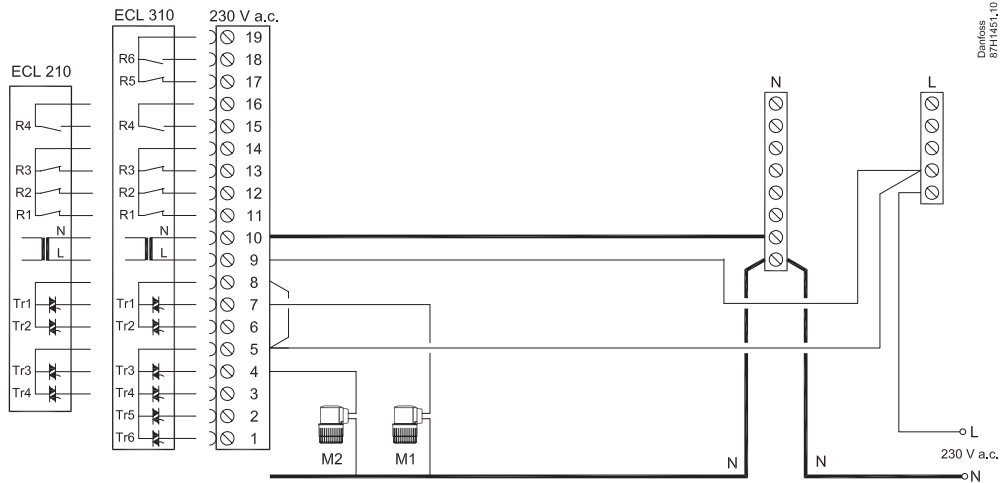


230 V a.c., A332.2, A332.3 (ECL 310)

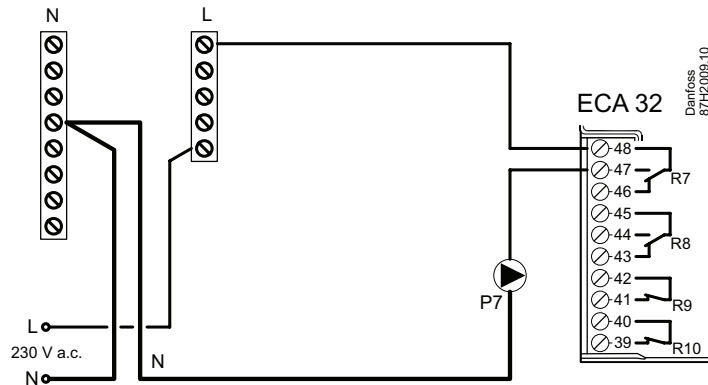


230 V a.c., A232 Danfoss ABV

	Danfoss type ABV:		
	M1	M2	M3
A232.1	✓		
A332.1	✓		
A332.2	✓	✓	
A332.3	✓	✓	
A332.4	✓		

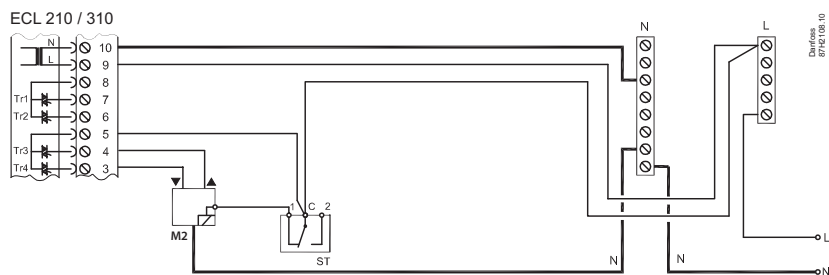
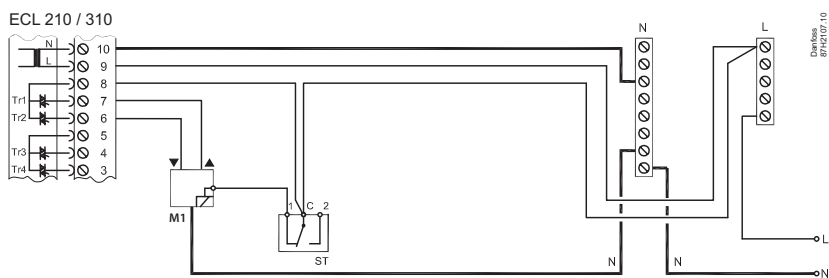
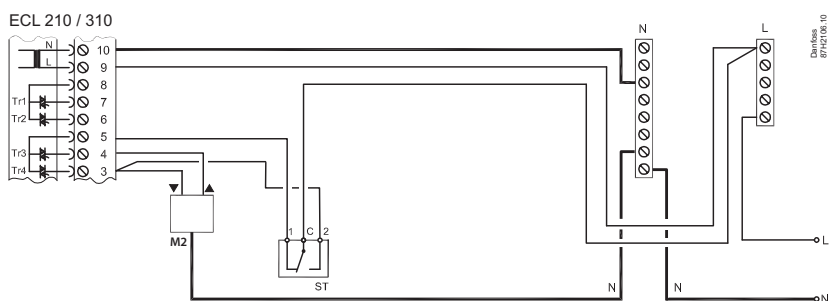
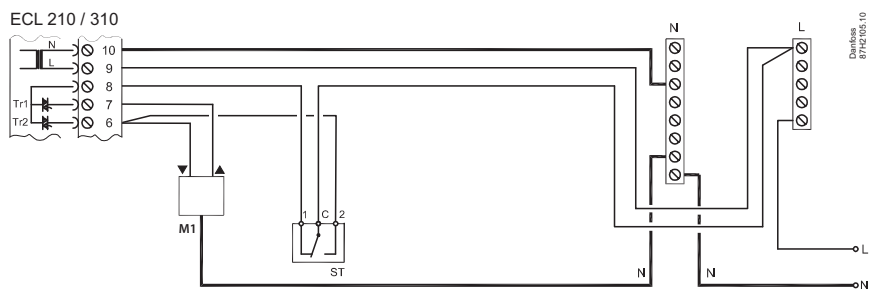


230 V a.c., A332.3, ECA 32, P7

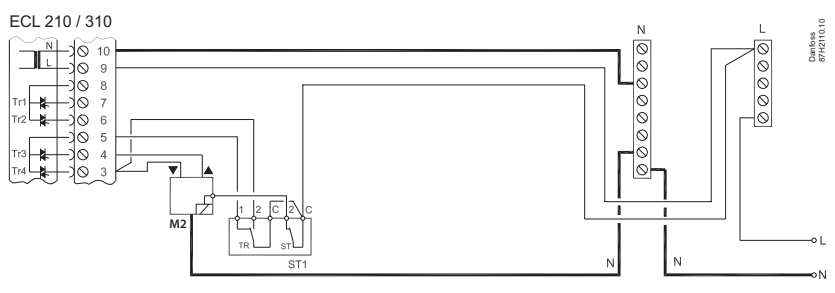
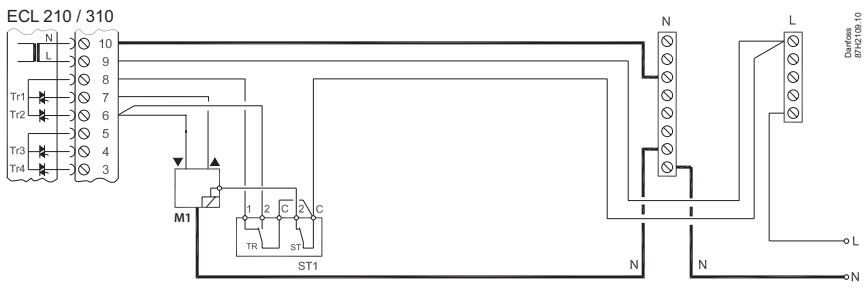


230 V a.c. / 24 V a.c. safety thermostat

1-step closing



230 V a.c. / 24 V a.c. safety thermostat
2-step closing



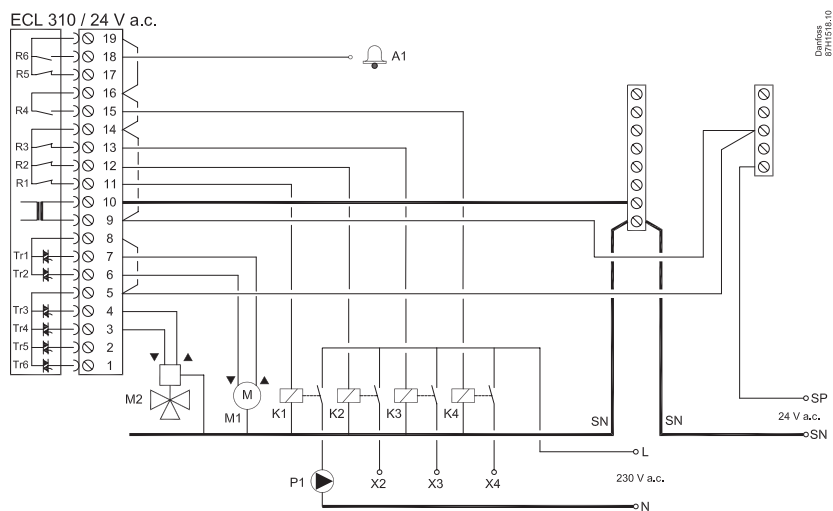
Mounting Guide

ECL Comfort 210 / 310, A232

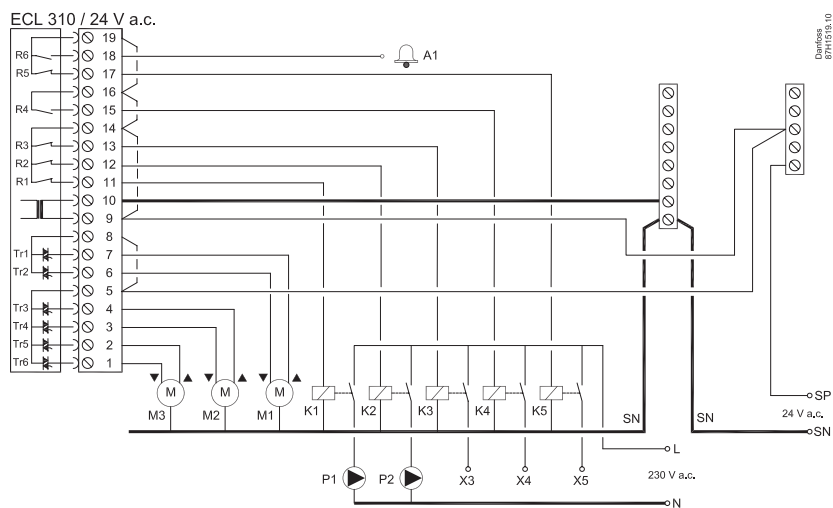
24 V a.c., A232.1, A332.1, A332.2, A332.3, A332.4 (ECL 310)

	M1	M2	M3		R1	R2	R3	R4	R5	R6
A232.1	✓	✓			P1	X2	X3	X4		
A332.1	✓	✓			P1	X2	X3	X4		A1
A332.2	✓	✓			P1	P2	X3	X4	X5	A1
A332.3	✓	✓	✓		P1	P2	X3	X4	X5	A1
A332.4	✓	✓			P1	X2	X3	X4		A1

24 V a.c., A232.1, A332.1, A332.4 (ECL 310)

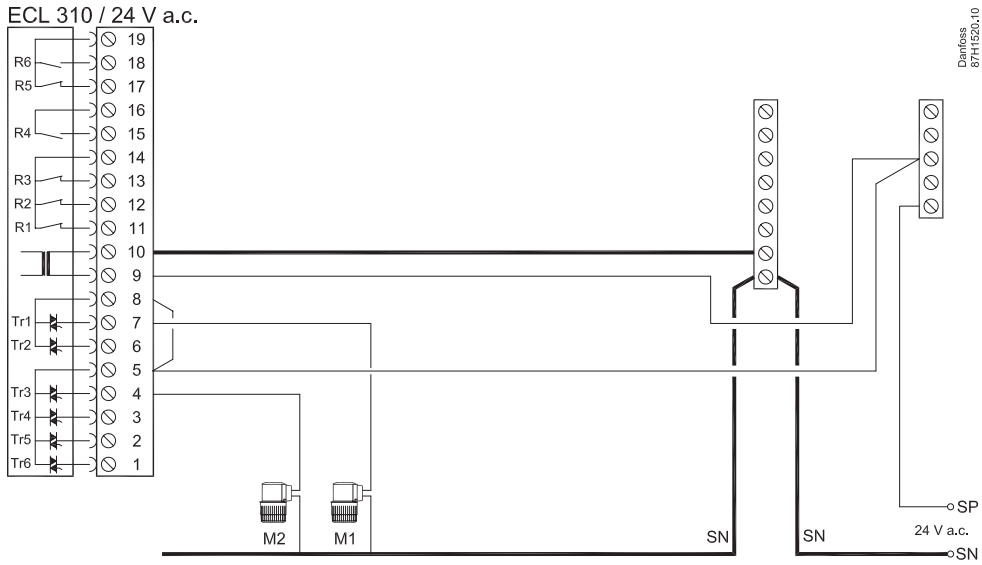


24 V a.c., A332.2, A332.3 (ECL 310)

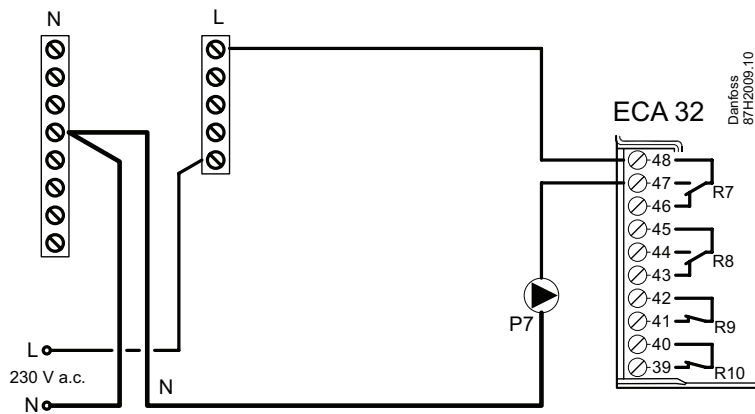


24 V a.c., A232, Danfoss ABV

	Danfoss type ABV:		
	M1	M2	M3
A232.1	✓		
A332.1	✓		
A332.2	✓	✓	
A332.3	✓	✓	
A332.4	✓		

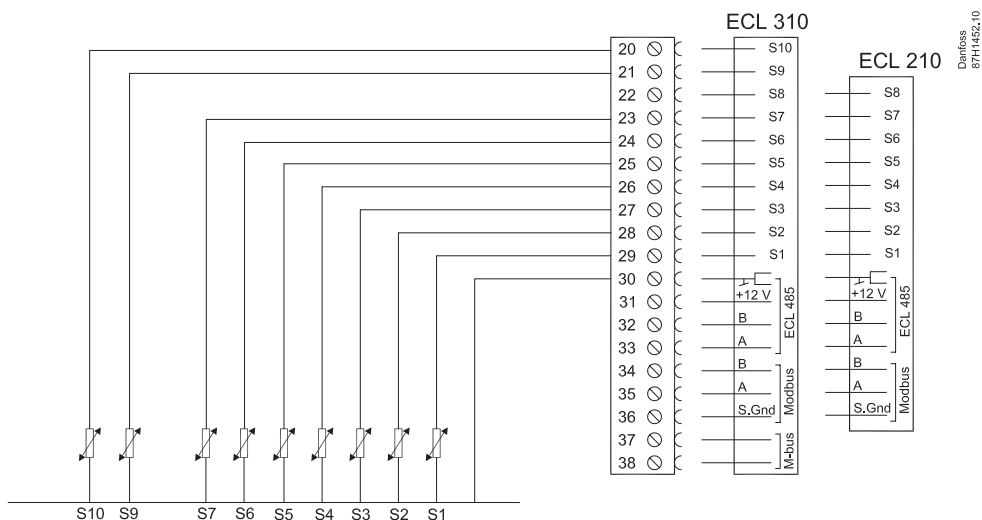


24 V a.c., A332.3, ECA 32, P7



Pt 1000 (1000 Ω / 0 °C)

	S1	S2	S3	S4	S5	S6	S7	S8	S9	S10
A232.1	✓	✓	✓		✓	✓				
A332.1	✓	✓	✓		✓	✓				✓
A332.2	✓	✓	✓	✓	✓	✓			✓	✓
A332.3	✓	✓	✓	✓	✓	✓	✓		✓	✓
A332.4	✓	✓	✓		✓	✓				✓

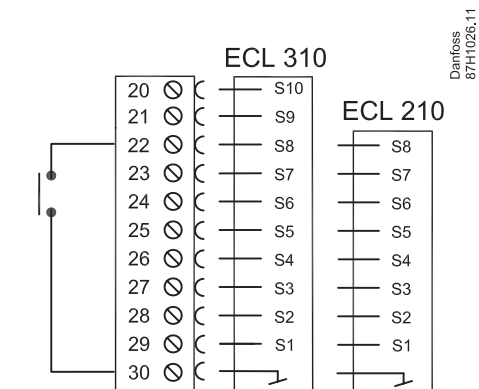
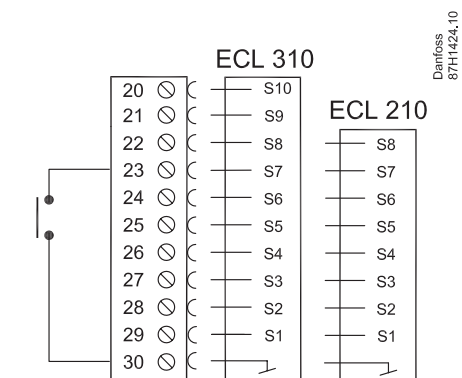


A232.1, A332.1, A332.2, A332.3, A332.4

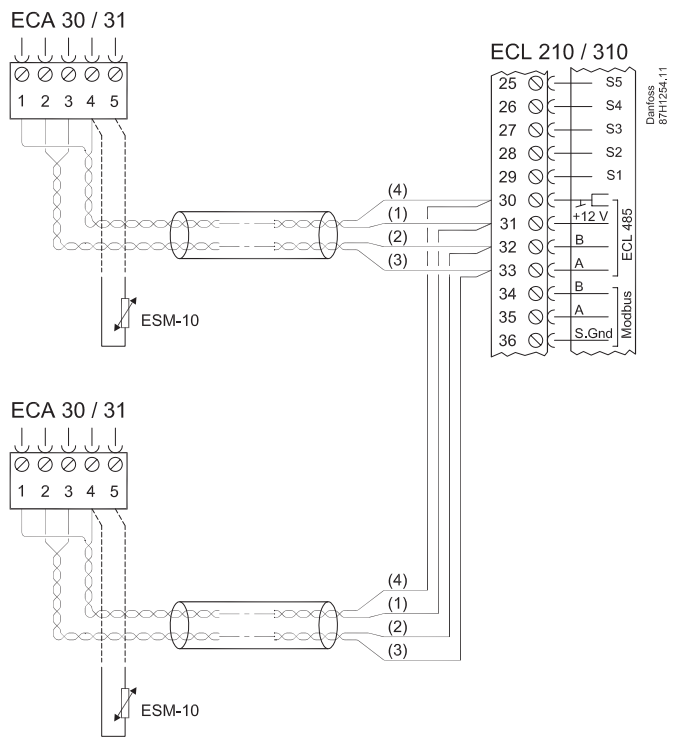
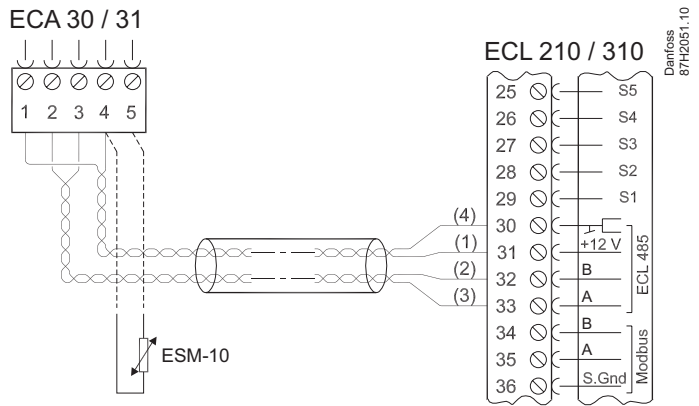


S7, S8, S9

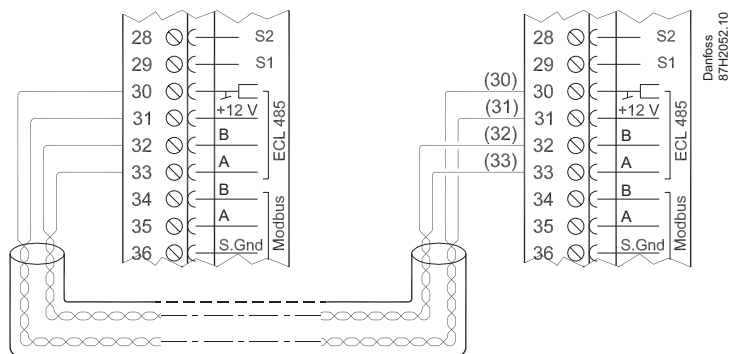
	S7	S8	S9
A232.1	✓	✓	
A332.1	✓	✓	
A332.2	✓	✓	
A332.3		✓	
A332.4	✓	✓	✓



ECA 30 / 31

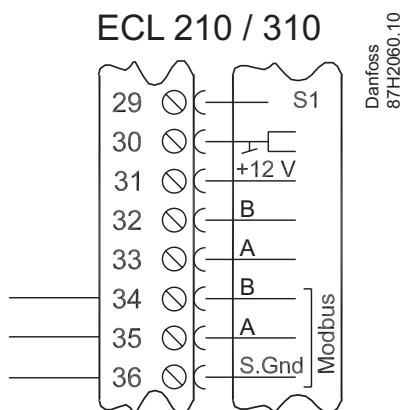


Master / slave



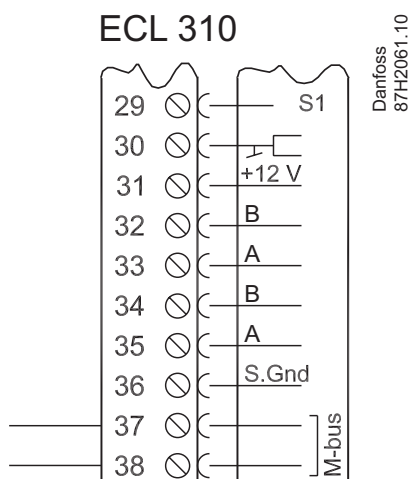
Modbus

ECL 210 / 310

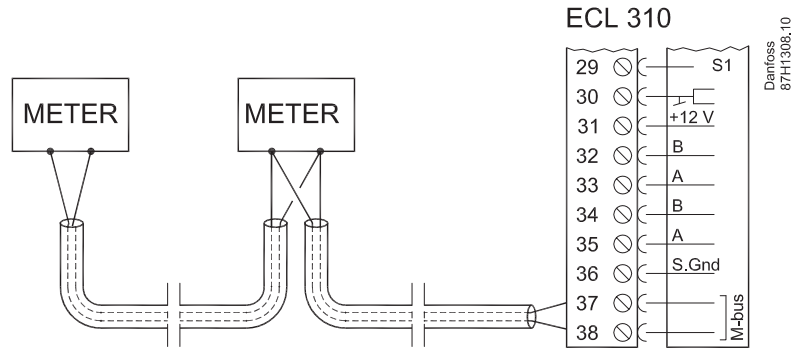


M-bus

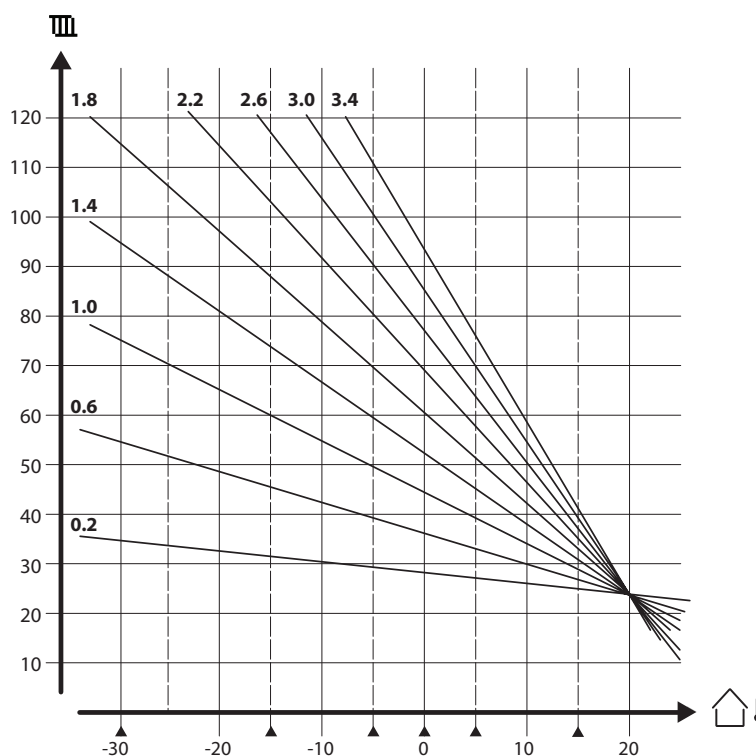
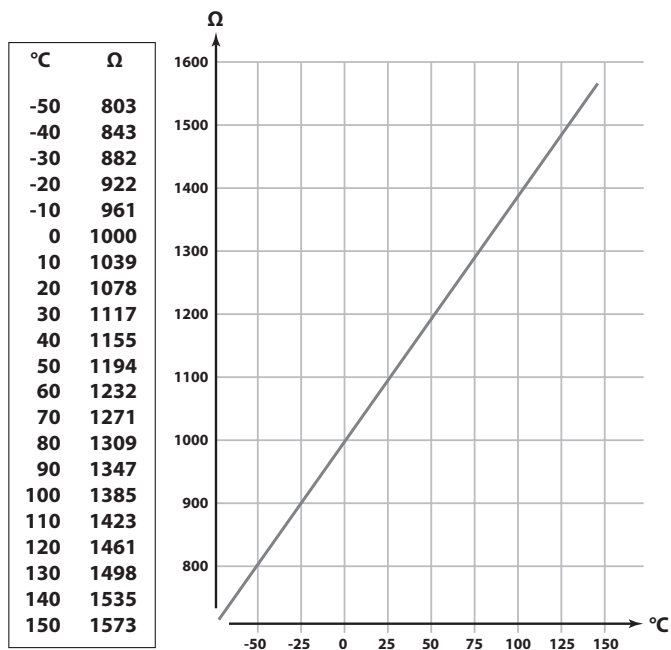
ECL 310



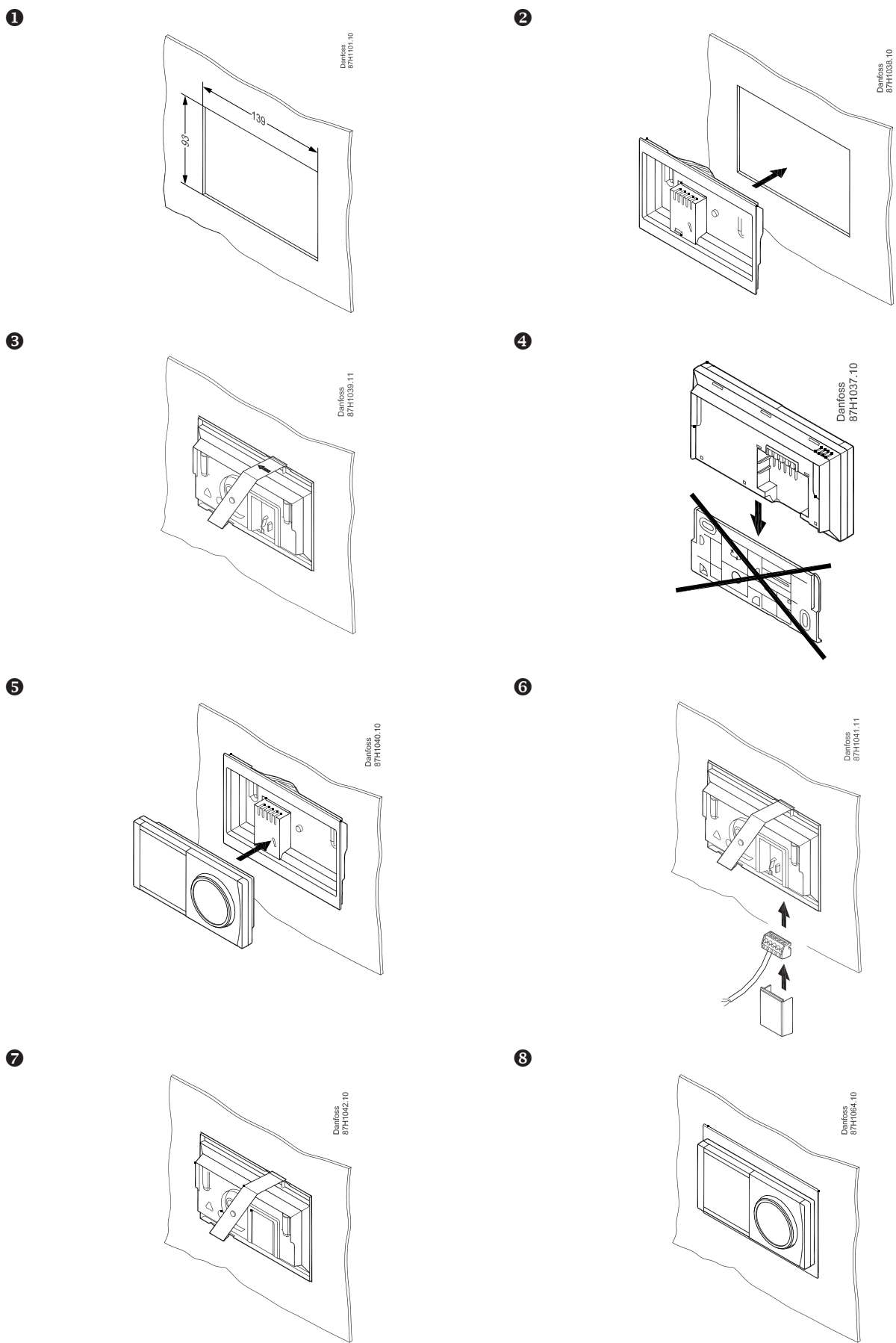
M-bus

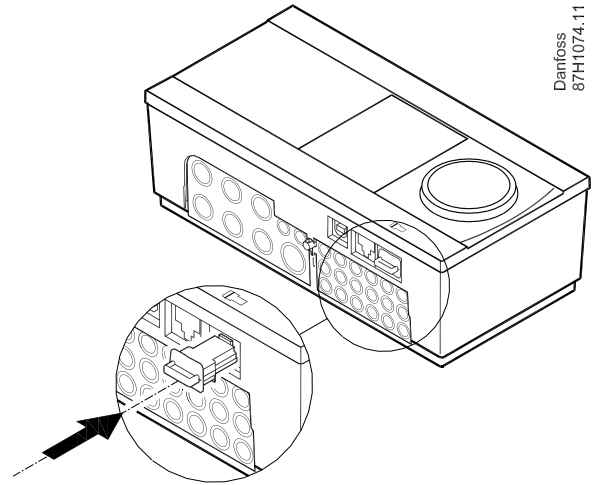
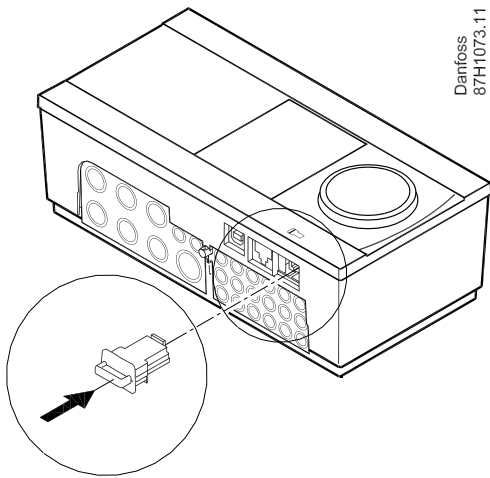
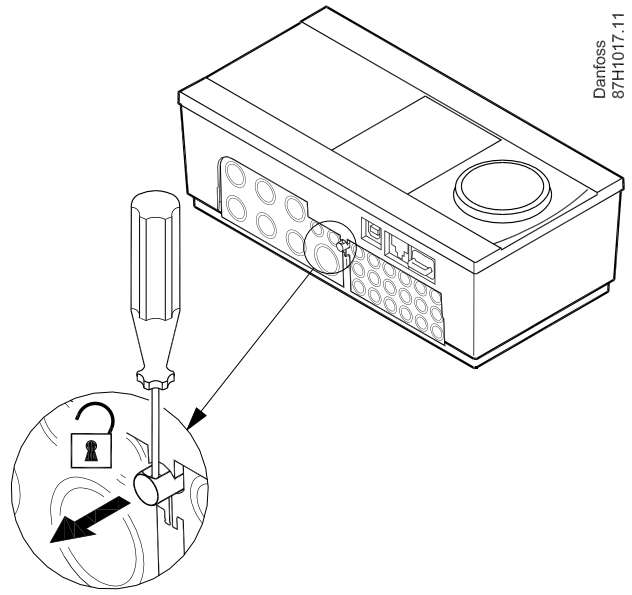
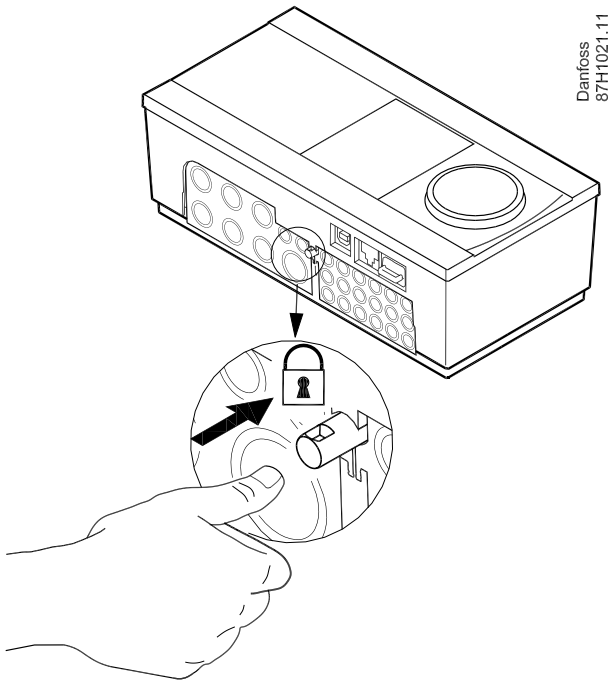


Pt 1000 (IEC 751B, 1000 Ω / 0 °C)



ECA 30





ECL Comfort 210 / 310, A232: www.ecl.doc.danfoss.com

